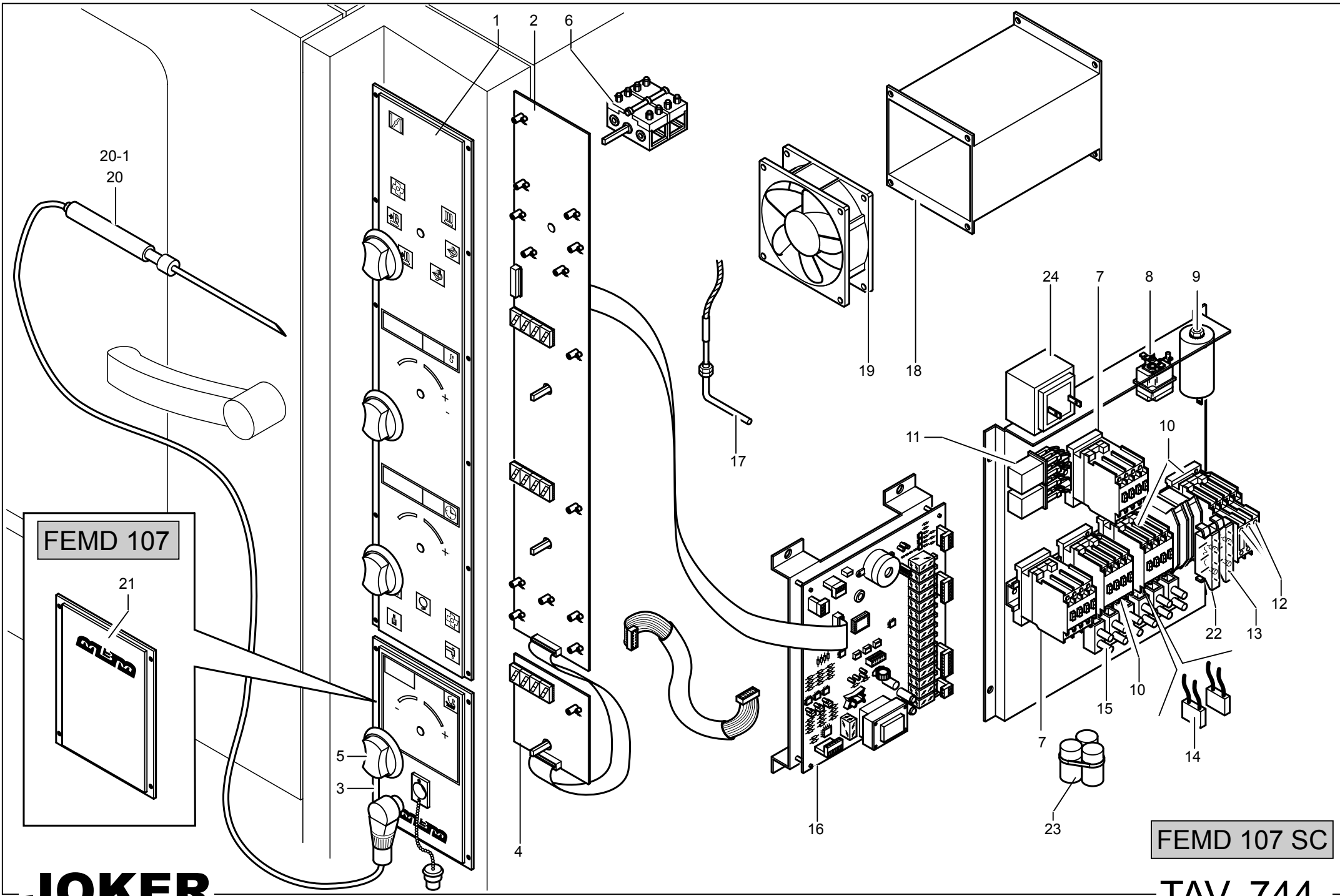


FEMD 107 SC

JOKER

TAV. 742

| | | | | | | |
|----------------|------|------------|--------------------------------|--|-------------------------------|--------------------------------|
| FORNI TAV. 742 | 1 | GAFOC00030 | AS.CERN.SUP.SX P.F.FCV. | CHARNIÈRE SUPÉRIEURE GAUCHE | INGE PIN SUPER.LEFT | TÜRANGEL OBEN LINKS |
| FORNI TAV. 742 | 10 | RTFOC00337 | ANELLO INT.GRADINO MAN.P.F.FCV | ANNEAU INTERIEUR EPAISSEUR | INNER RING | INNENRING |
| FORNI TAV. 742 | 11 | 161597 | AS. CASSETTO SX INT. P.F. | GROUPE BASSIN GAUCHE | UNIT DRAWER LEFT | GRUPPE SCHUBLADE LINKE |
| FORNI TAV. 742 | 1-1 | GAFOC00213 | AS.CERN.SUP.DX P.F.FCV | CHARNIÈRE SUPÉRIEURE DROITE | INGE PIN SUP. RIGHT | TÜRANGEL RECHTS |
| FORNI TAV. 742 | 11-1 | 161600 | AS. CASSETTO DX INT. P.F. | GROUPE BASSIN DROITE | UNIT DRAWER RIGHT | GRUPPE SCHUBLADE RECHTS |
| FORNI TAV. 742 | 12 | 161135 | AS.CASSETTO SX FEC060/1 | BASSIN GAUCHE | TRAY LEFT | SCHUBLADE LINKS |
| FORNI TAV. 742 | 12-1 | 161574 | AS.CASSETTO DX FEC060/1 | BASSIN DROITE | TRAY RIGHT | SCHUBLADE RECHTS |
| FORNI TAV. 742 | 13 | RTFOC00413 | PIEDINO+T.OTTAG.FGC065/87,5 | PIED | FOOT | FUSS |
| FORNI TAV. 742 | 14 | RTFOC00711 | MICROINT.FCV. RMP UNIPOL.30907 | MICRO-INTERRUPTEUR PORTE DU FOUR | MICRO OVEN DOOR | MIKRO OFENTÜR |
| FORNI TAV. 742 | 15 | GAFOC00241 | AS.CRUSCOTTO FGM107 | PANNEAU DE CONTRÔLE | CONTROL PANEL | STIRNBRETT |
| FORNI TAV. 742 | 16 | PAFOC00542 | FIANCO DX FGC100/1 | CÔTÉ DROITE | RIGHT SIDE | RECHTE SEITE |
| FORNI TAV. 742 | 17 | PAFOC00597 | POSTERIORE INOX FEM109/1 | PANNEAU POSTERIEUR | BACK PANEL | HINTEN |
| FORNI TAV. 742 | 18 | 161196 | AS.COPERCHIO FEC100/1 | COUVERCLE EXT. | COVER EXT. | ABDECKUNG |
| FORNI TAV. 742 | 19 | PAFOC00543 | FIANCO SX FGC100/1 | CÔTÉ GAUCHE | LEFT SIDE | LINKE SEITE |
| FORNI TAV. 742 | 2 | 161169 | GR. VETRO INT. SX/DX | C/PORTE DU FOUR GAUCHE | C/OVEN DOOR LEFT | C/OFENTÜR LINKS |
| FORNI TAV. 742 | 20 | 161502 | AS. GHIERA BLOCCO VETRO | GROUPE BAGUE BLOCCO VERRE | UNIT LUCKING GLASS NUT | GRUPPE GEFESTIGUNGSMUTTER GLAS |
| FORNI TAV. 742 | 21 | GAFOC00027 | AS.C/FORO CASS.FCV. | COUVRE TROU | PLUG | LOCHABDECKUNGSPROPFFEN |
| FORNI TAV. 742 | 22 | RTFOC00555 | AT.GRIGLIA LAT.F.FCV | ATTAQUE GRILLE LATÉRALE | GRILL CONNECTION SIDE | GRILLAUFCLAGE SEITE |
| FORNI TAV. 742 | 23 | RTFOC00476 | ASTA TRAS.SCA.COND.FEC060/1NIC | BARRE TRANSVERSAL | ROD TRANSVERS. | STAB |
| FORNI TAV. 742 | 24 | RTFOC00679 | ASTA ANT.SCA.COND.FGM107 INOX | BARRE ANTÉRIEUR | ROD ANTERIOUR | STAB VORNE |
| FORNI TAV. 742 | 25 | 161660 | MANOP.COND.FCV.TURCH.EKK25B | BOUTON | KNOB | DREHGRIF |
| FORNI TAV. 742 | 26 | PAFOC00680 | DISCO INF.SCARICO COND.FEMD100 | DISQUE INFÉRIEUR DÉCHARGÉ | DISC INFER. OUTLET | SCHEIBE UNTEN AUSGANG |
| FORNI TAV. 742 | 27 | RTFOC00382 | *CORNICHE FIS.VETRO P/LAMP.FCV | CADRE DU PORTELAMPE | MOULDING P/LAMP | UMRAHMUNG P/LAMPE |
| FORNI TAV. 742 | 28 | 161283 | GUARNIZIONE P/LAMPADA | GARNITURE DU PORTELAMPE | GASKET P/LAMP | DICHTUNG P/LAMPE |
| FORNI TAV. 742 | 29 | RTFOC00201 | *VETRO P/LAMPADA FCV. | VERRE DU PORTELAMPE | GLASS P/LAMP | GLAS P/LAMPE |
| FORNI TAV. 742 | 3 | 161161 | AS.PORTA FORNO.SX | PORTE DU FOUR GAUCHE | OVEN DOOR LEFT | OFENTÜR LINKS |
| FORNI TAV. 742 | 30 | 161281 | PORTA LAMPADA | PORTELAMPE | DOOR LAMP | PORTA LAMPE |
| FORNI TAV. 742 | 31 | 161282 | LAMPADA | LAMPE | LAMP | LAMPE |
| FORNI TAV. 742 | 3-1 | 161570 | AS.PORTA FORNO.DX | PORTE DU FOUR DROITE | OVEN DOOR RIGHT | OFENTÜR RECHTS |
| FORNI TAV. 742 | 32 | RTFOC00009 | GANCIO | CROCHET | HOOK | HAKEN |
| FORNI TAV. 742 | 33 | RTFOC00005 | ZOCCOLO ESTERNO | GODET EXTÉRIEUR | OUTWARD BASE | SOCKEL AUSSEN |
| FORNI TAV. 742 | 34 | GAFOC00051 | SERRATURA | SERRURE | LOCK | SCHLOSS |
| FORNI TAV. 742 | 35 | 161513 | MOLLA FERMO GHIERA | RESSORT DE LA SERRURE DU VIROLE | FERRULE LOCK SPRING | FEDER DES MUTTER-SCHLOSSES |
| FORNI TAV. 742 | 36 | RTMIN00114 | DADO CECO M6 | ECROU | NUT | MUTTER |
| FORNI TAV. 742 | 37 | 161581 | AS. PROTEZIONE SERRATURA DX | GROUPE PROTECTION SERRURE DROITE | UNIT RIGHT LOCK PROTECTION | GRUPPE SHUTZSCHLOSS RECHTZ |
| FORNI TAV. 742 | 37-1 | 161166 | AS. PROTEZIONE SERRATURA SX | GROUPE PROTECTION SERRURE GAUCHE | UNIT LEFT LOCK PROTECTION | GRUPPE SHUTZSCHLOSS LINKE |
| FORNI TAV. 742 | 38 | 161411 | GUARNIZIONE CRUSCOTTO | GARNITURE PANNEAU DE CONTRÔLE | CONTROL PANEL GASKET | DICHTUNGSTIRNBRETT |
| FORNI TAV. 742 | 39 | RTFOC00722 | GUARNIZIONE FACCIATA | GARNITURE DEVANTURE | GASKET FACE | DICHTUNG OFENVORDERWAND |
| FORNI TAV. 742 | 4 | 161172 | VETRO ESTERNO SX/DX | VERRE EXTER GAUCHE/DROITE | EXTERNAL GASKET LEFT/RIGHT | EXTERNER GLAS RECHTS/LINKE |
| FORNI TAV. 742 | 40 | 161494 | DISTANZIALE VETRO | ENTRTOISE VERRE | GLASS SPACER | DISTANZSTÜCK GLAS |
| FORNI TAV. 742 | 41 | 161477 | GOMMINO P.F. | BOUCHON DE LA PORTE | DOOR RUBBER CAP | TÜRGUMMI |
| FORNI TAV. 742 | 42 | RTFOC00057 | ZOCCOLO CENTRALE | GODET CENTRAL | CENTRAL BASE | SOCKEL ZENTRAL |
| FORNI TAV. 742 | 5 | 161482 | GUARNIZIONE VETRO ESTERNO | GARNITURE VERRE EXTÉR. | EXTERNAL GASKET GLASS | EXTERNER GLASDICHTUNG |
| FORNI TAV. 742 | 6 | PAFOC00583 | CERN.INF.P.F.DX FCV | CHARNIÈRE INFÉRIEUR DROITE PORTE DU FOUR | INGE PIN INF. RIGHT | TÜRANGEL INF. RECHTS |
| FORNI TAV. 742 | 6-1 | 161387 | CERN.INF.P.F.SX FCV | CHARNIÈRE INFÉRIEUR GAUCHE PORTE DU FOUR | INGE PIN INFER.LEFT | TÜRANGEL UNTENLINKS |
| FORNI TAV. 742 | 7 | 160912 | MANIGLIA | POIGNÉE | HANDLE | HANDGRIF |
| FORNI TAV. 742 | 8 | RTFOC00338 | ANELLO EST.MAN.P.F.FCV. | ANNEAU EXT. POIGNÉE PORTE DU FOUR | OUTWARD RING OVEN DOOR HANDLE | HANDGRIF |
| FORNI TAV. 742 | 9 | 160911 | BASSETTA MANIGLIA | EPAISSEUR POIGNÉE | HANDLE | HANDGRIF |



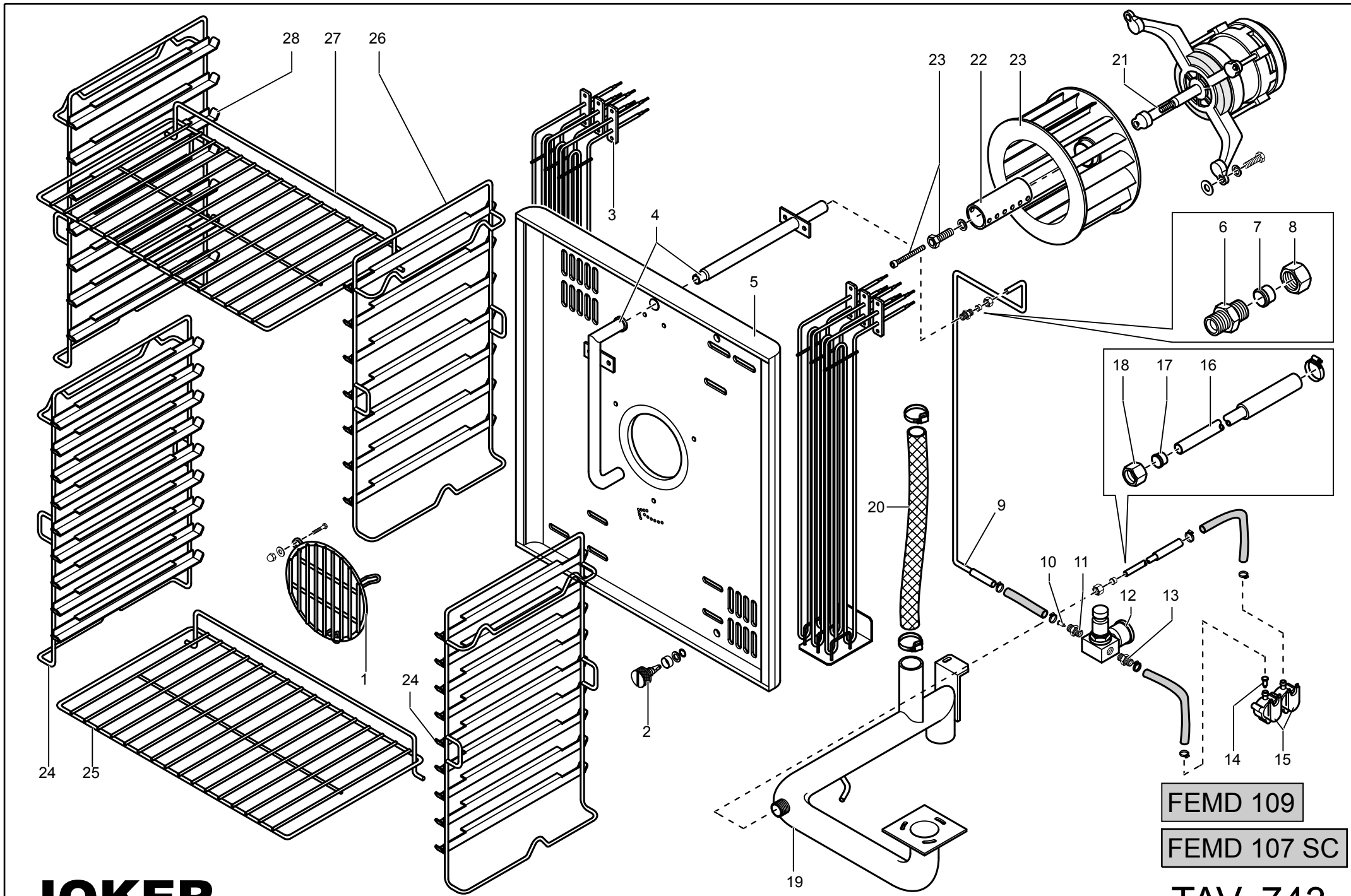
FEMD 107

FEMD 107 SC

JOKER

TAV. 744

| | | | | | | |
|----------------|------|------------|--------------------------------|------------------------------|------------------------|----------------------|
| FORNI TAV. 744 | 1 | RTFOC00505 | MASCHER.CRUS.FGMD107SC FRONT. | MASQUE FRONTAL | FRONT FRONTAL | ABDECKUNG VORNE |
| FORNI TAV. 744 | 2 | RTFOC00672 | SCHEDA DISPLAY FGMD107 98X3 | CARTE DISPLAY | SCHEME DISPLAY | SCHALTPLAN DISPLAY |
| FORNI TAV. 744 | 6 | RTFOC00669 | COMM.FGMD067 4647866823 | COMMUTATEUR | COMMUTATOR | KOMMUTATORGRIFF |
| FORNI TAV. 744 | 7 | RTFOC00466 | RELAIS FCV 3TF3200-0AL2 | RELAIS | RELAY | RELAIS |
| FORNI TAV. 744 | 8 | RTFOC00483 | T.L.FCV/1T350 5510562800 | THERMOSTAT LIMITEUR | THERMOSTAT LIMIT. OVEN | LIMIT THERMOSTAT |
| FORNI TAV. 744 | 9 | RTFOC00053 | CONDENSATORE FCV 16152220MF450 | CONDENSATEUR | CONDENS. MOTOR | CONDENS. MOTOR |
| FORNI TAV. 744 | 10 | RTFOC00786 | RELAIS FCV.3TF3000-0AL2 | RELAIS | RELAY | RELAIS |
| FORNI TAV. 744 | 12 | RTFOC00789 | CONTATTI A.FCV.3TX4001-2A | AUXILIAIRE CONTACT | AUXILIARY CONTACT | HILFSANSCHLÜSSE |
| FORNI TAV. 744 | 13 | RTFOC00284 | FUSIBILE 6,3 A | FUSIBLE 6,3 A | FUSIBLE 6,3 A | SICHERUNG 6,3 A |
| FORNI TAV. 744 | 14 | RTFOC00023 | A/DISTURBO FCV.F43LN3100ZF00K | ANTI-PERTURBATION | ANTIJAMMING FILTER | FILTER A/STÖRUNG |
| FORNI TAV. 744 | 15 | RTBF900045 | MORSETTIERA C4EF+SIMB/1-6 | GROUPE DE CONNECTION 6 POLES | TERMINAL BLOCK 6 POLES | KLEMMBRETT 6 POLIG |
| FORNI TAV. 744 | 23 | RTFOC00312 | FILTRO ANTIDISTURBO | ANTI-PERTURBATION | ANTIJAMMING FILTER | FILTER A/STÖRUNG |
| FORNI TAV. 744 | 22 | RTFOC00048 | P/FUSIBILE+PIAS.FCV.VL04+VS0PT | PORTE-FUSIBLES | FUSE HOLDER | SICHERUNGSHALTER |
| FORNI TAV. 744 | 17 | RTFOC00321 | TERMOCOPPIA CAMERA | THERMOCOUPLE | THERMOELEMENT | THERMOELEMENT |
| FORNI TAV. 744 | 18 | GAFOC00118 | AS.CONV.CALORE FEM109 | CONVOYEUR CHALEUR | HEAT CONVEYOR | WÄRMEUMWÄLZER |
| FORNI TAV. 744 | 19 | RTFOC00254 | VENT.CALORE FEM109 | VENTILATEUR CHALEUR | HEATFAN | WÄRMEVENTILATOR |
| FORNI TAV. 744 | 16 | RTFOC00671 | SCHEDA POTENZA FGMD107 050998 | CARTE DE PUISSANCE | POWER SCHEME | SCHALTPLAN POTENZ |
| FORNI TAV. 744 | 20 | 161390 | SONDA CUORE Ø4 | SONDE Ø4 | PROBE Ø4 | SONDE Ø4 |
| FORNI TAV. 744 | 21 | RTFOC00667 | MASCHER.CRUS.FGMD107 NEUTRA | MASQUE NEUTRE | COVER NEUTRAL | ABDECKUNG NEUTRAL |
| FORNI TAV. 744 | 3 | 161293 | MASCHER.CRUS.FGMD107SC SONDA | MASQUE SONDEUSE | COVER PROBE | ABDECKUNG SONDE |
| FORNI TAV. 744 | 4 | RTFOC00673 | SCHEDA SONDA FGMD107 98X2 | SCHEDA EL. SONDE | SCHEME EL. PROBE | SCHALTPLAN EL. SONDE |
| FORNI TAV. 744 | 5 | 160910 | MANOPOLA | BOUTON | KNOB | DREHGRIFF |
| FORNI TAV. 744 | 24 | 161285 | TRASFORMATORE W40 | TRANSFORMATEUR W40 | TRASFORMATOR W40 | TRASFORMATOR W40 |
| FORNI TAV. 744 | 20-1 | 161389 | SONDA CUORE Ø2 | SONDE Ø2 | PROBE Ø2 | SONDE Ø2 |
| FORNI TAV. 744 | 11 | RTFOC00144 | RELAIS | RELAIS | RELAY | RELAIS |



FEMD 109

FEMD 107 SC

JOKER

TAV. 743

| | | | | | | |
|----------------|----|------------|-------------------------------------|-----------------------------------|--------------------------------|---------------------------------|
| FORNI TAV. 743 | 1 | RTFOC00174 | GRIGLIA PROT.VENT.FCV.INOX | GRILLE DE PROTECTION | GRILL IMPELLER PROTECTION | SCHUTZGITTER SCHORNSTEIN |
| FORNI TAV. 743 | 2 | RTFOC00334 | AT.RAPIDO K1610/TA16/C16X | ATTAQUE RAPIDE | CONNECTION | SCHNELLANSCHLUSS |
| FORNI TAV. 743 | 3 | RTFOC00068 | RESISTENZA ELET. 2,5KW | RESISTANCE ELET. 2,5KW | RESISTANCE ELET. 2,5KW | WIDERSTAND ELET. 2,5KW |
| FORNI TAV. 743 | 4 | RTFOC00492 | TU.UMIDIFICATORE FEC100/1 | HUMIDIFICATEUR | HUMIDIFIER | BEFEUCHTER |
| FORNI TAV. 743 | 5 | 161182 | CONV.ARIA FGC100/1 | CONVOYEUR DE L'AIR | CHIMNEY | SCHORNSTEIN |
| FORNI TAV. 743 | 6 | RTFOC00557 | INIET.UMIDIF.FCV D.1.5 | INJECTEUR HUMIDIFICATEUR | INJECTOR HUMIDIFIER | EINSPRITZER BEFEUCHTER |
| FORNI TAV. 743 | 7 | RTCU900018 | BICONO D.6 PEL0905 | BICONE POUR TUBE Ø 6 | BICONE FOR PIPE Ø 6 | ZWEIKEGEL Ø 6 |
| FORNI TAV. 743 | 8 | RTFOC00020 | CALOTTA UMIDIF.FCV. | ECROU | NUT | MUTTER |
| FORNI TAV. 743 | 9 | RTFOC00750 | TU.AL.ACQ.UMIDIF.FGC100/1 | TUBE HUMIDIFICATEUR | PIPE HUMIDIFIER | ROHR BEFEUCHTER |
| FORNI TAV. 743 | 10 | RTFOC00120 | REGOLAT.E/VALV.FCV.ROSSO/0,25 | REGULATEUR DE PORTÉE | FLOWREGULATOR | DURCHSTRÖMUNGSREGLER |
| FORNI TAV. 743 | 11 | RTFOC00626 | RACCORDO P/GOMMA FCV 0502001 | RACCORD SOUPLE | UNION RUBBER | ANSCHLUSS GUMMI |
| FORNI TAV. 743 | 12 | GRFOC00274 | REGOLATORE DI PRESSIONE + MANOMETRO | REGULATEUR PRESSION + MANOMÈTRE | PRESSURE REGULATOR + MANOMETER | DRUCKREGLER + SICHERHEITSVENTIL |
| FORNI TAV. 743 | 13 | RTFOC00626 | RACCORDO P/GOMMA FCV 0502001 | RACCORD SOUPLE | UNION RUBBER | ANSCHLUSS GUMMI |
| FORNI TAV. 743 | 14 | RTFOC00726 | REGOLAT.E/VALV.FCV.VERDE 0,45L/M | REGULATEUR DE PORTÉE | FLOWREGULATOR | DURCHSTRÖMUNGSREGLER |
| FORNI TAV. 743 | 15 | RTFOC00203 | ELETTROVALVOLA | SOUPAPE | ELECTRIC VALVE | ELEKTROVENTIL |
| FORNI TAV. 743 | 16 | 161521 | TU.AB.VAPORI FCVM | TUYAU DÉTACHEMENT VAPEUR | PIPE STEAM | ROHR DAMPF |
| FORNI TAV. 743 | 17 | RTCU900012 | BICONO D.10 G4SF SIT0957010 | BICONE D.10 | DOUBLE CONE D.10 | DOPPELKONUS D.10 |
| FORNI TAV. 743 | 18 | RTCU900013 | CALOTTA UMIDIF.FCV. | ECROU | NUT | MUTTER |
| FORNI TAV. 743 | 19 | 161213 | RAMPA SC.COND.FGMD060/1 | RAMPE DE DÉCHARGEMENT CONDENSE | RAMP CONDENSE | RAMPE DUNSTABZUG |
| FORNI TAV. 743 | 20 | 161508 | TUBO IN GOMMA | VITE FISSAGGIO GIRANTE | FIXINGSCREW IMPELLER | BEFESATIGUNGSSCHRAUBE LAUFRAD |
| FORNI TAV. 743 | 22 | 161553 | NEBULIZZATORE FGC065 | NÉBULISATEUR | DISTRIBUTOR | ZERSTÄUBER |
| FORNI TAV. 743 | 23 | 161274 | GIRANTE VENT.10G D.270 P.R. | MOBILE 50HZ | IMPELLER 50HZ | LAUFRAD 50HZ |
| FORNI TAV. 743 | 21 | 161232 | MOTORE VENT.FEC100 M8035E31761 | MOTEUR | MOTOR | MOTOR |
| FORNI TAV. 743 | 24 | RTFOC00527 | GRIGLIA LAT.FCVM/10G INOX | GRILLE LATÉRALE DROITE -GAUCHE | GRILL SIDERIGHT -LEFT | GRILL SEITERECHTS -LINKS |
| FORNI TAV. 743 | 25 | RTFOC00175 | GRIGLIA FORNO GN 1/1 | GRILLE DU FOUR GN 1/1 | GRILL OVEN GN 1/1 | GRILL HERD GN 1/1 |
| FORNI TAV. 743 | 26 | RTFOC00591 | GRIGLIA LAT.SX F.FCVP/8G INOX | GRILLE LATÉRALE GAUCHE PÂTISSERIE | GRILL SIDELEFT PASTRY | GRILL SEITE LINKS KUNSTSTOFF. |
| FORNI TAV. 743 | 27 | RTFOC00083 | GRIGLIA PASTIC. | GRILLE PÂTISSERIE | GRILL PASTRY | GRILL GEBÄCK |
| FORNI TAV. 743 | 28 | RTFOC00590 | GRIGLIA LAT.DX F.FCVP/8G INOX | GRILLE LATÉRALE DROITE PÂTISSERIE | GRILL SIDERIGHT PASTRY | GRILL SEITE RECHTS KUNSTSTOFF |